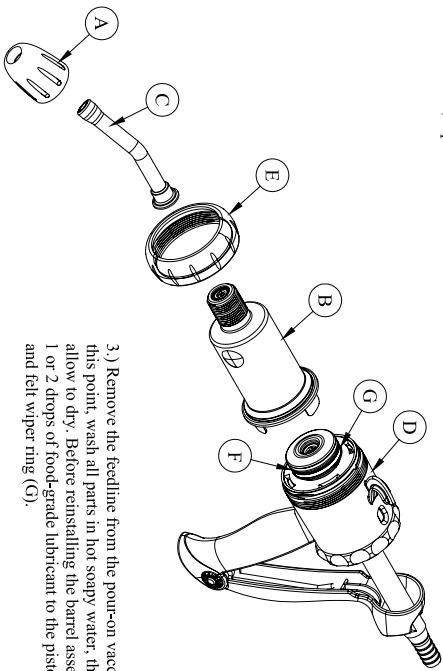


CLEANING INSTRUCTIONS

1.) **LINE CLEANING:** Before disassembling the pour-on vaccinator for cleaning, clean the line. Partially fill a sink or small container with hot, soapy water. Hold the end of the feed line underneath the water in one hand while holding the vaccinator in the other. Continuously squeeze the vaccinator, pumping water through it until clean. To rinse, repeat with clean water.

2.) **BARREL REMOVAL:** Unscrew the nozzle nut (A) from the barrel (B) to remove the nozzle (C). Next, unscrew the barrel from the pour-on gun handle assembly (D). Wash the all parts in hot, soapy water, then rinse. Use the supplied brush to remove any remaining contaminants from barrel. Unscrew the barrel collar (E) to remove barrel (B).

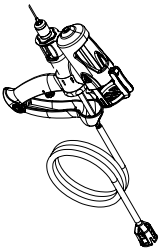


3.) Remove the feedline from the pour-on vaccinator. At this point, wash all parts in hot soapy water, then rinse and allow to dry. Before reinstalling the barrel assembly, apply 1 or 2 drops of food-grade lubricant to the piston o-ring (F) and felt wiper ring (G).

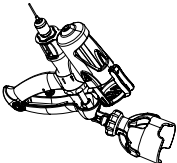
!!CAUTION!! DO NOT OVER TIGHTEN NOZZLE NUT!! HAND-TIGHTEN ONLY!! OVERTIGHTENING CAN CAUSE BARREL BREAKAGE!! DO NOT TIGHTEN WITH ANY TYPE OF TOOL. DO NOT PLACE ANY PART OF THE VACCINATOR IN A MICROWAVE OVEN OR NEAR A HEAT SOURCE!

To learn more about these and other quality Prima Tech, USA product lines, please visit our website at www.primatechusa.com or call 910-296-6116.

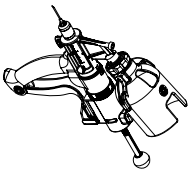
PRIMA MARC
0-2ml & 0-6ml
Capacities



PRIMA MARC-BMV
0-2ml & 0-6ml
Capacities



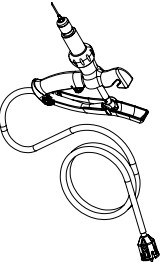
PRIMA REPEATER
0-2ml, Charge Capacity
1ml, 2ml mechanical increments



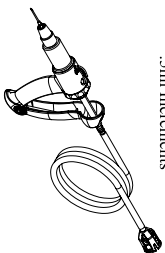
BMV
0-2ml & 0-6ml
Capacities



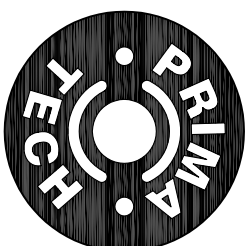
VACCINATOR
0-2ml & 0-6ml
Capacities



INJECTOR
0-1.2 5ml Capacity
.5ml Increments



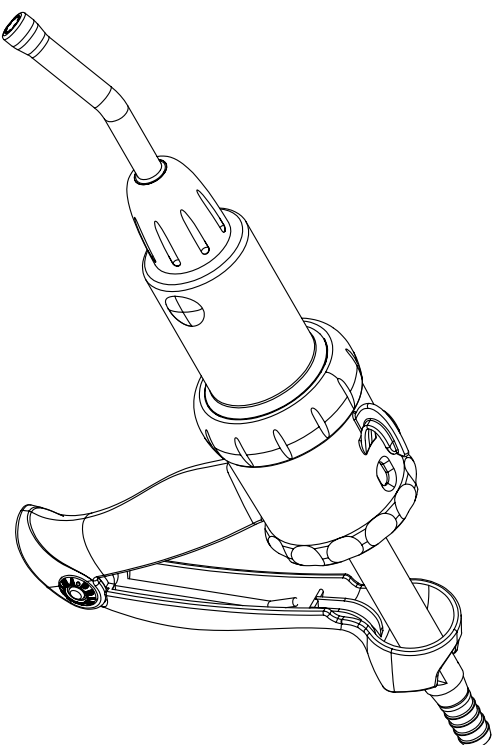
Prima Tech instruction form #340870-A



Prima Tech USA
P.O. Box 336
277 Faison McGowan Rd.
Kenansville, NC 28349
910-296-6116
www.primatechusa.com

INSTRUCTION MANUAL

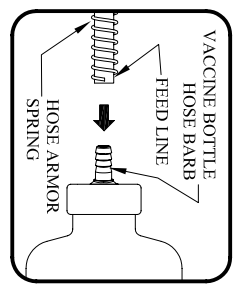
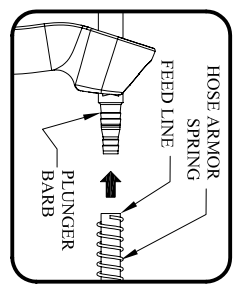
POUR-ON



INSTRUCTIONS FOR USE

TO ATTACH FEED LINE:

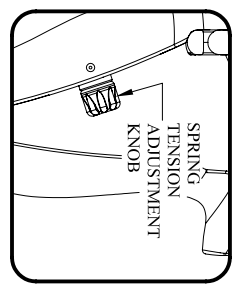
- 1.) Attach one end of feed line to plunger barb of pour-on vaccinator, ensuring that one hose armor spring is pushed firmly up to the end of the hose.
- 2.) Attach opposite end of feed line to barb of vaccine bottle, ensuring that the other hose armor spring is pushed firmly up to the other end of the hose near the container hose barb.



TO ADJUST HANDLE SPRING TENSION:

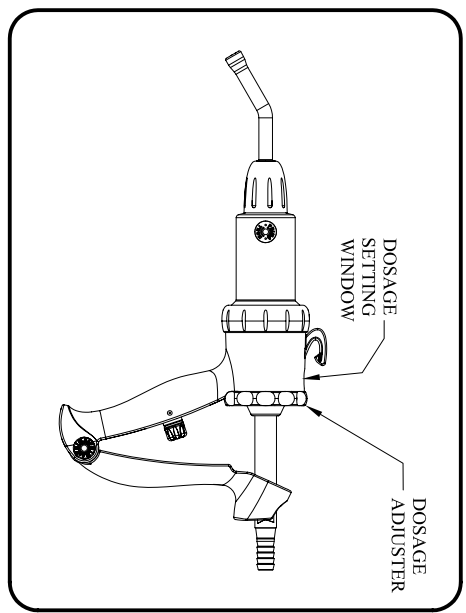
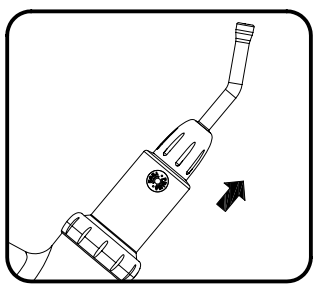
*Some pour-on vaccinators are equipped with a handle spring tension adjuster as shown. If your unit is not so equipped, the handle spring tension cannot be adjusted. If so, follow these instructions for adjusting the handle spring tension.

- 1.) To increase handle spring tension, turn the knob clockwise.
- 2.) To reduce handle spring tension, turn the knob counter-clockwise until tension is relieved.



TO PRIME POUR-ON VACCINATOR:

- 1.) Set pour-on vaccinator to the largest dosage amount as indicated in the dosage setting window by turning the dosage adjuster.
- 2.) Tip vaccinator up at a slight angle, with the nozzle pointing up. Top of vaccine bottle must be pointed downwards such as when hanging, unless the vaccine bottle is equipped with a straw or "dip tube" that will allow vaccine to be drawn from the bottom.
- 4.) Squeeze vaccinator handle, then release quickly to draw fluid into the barrel.
- 5.) Remove any air bubbles from the barrel by repeating step 4 being careful not to waste fluid. Dispense fluids into a container and pour back into vaccine bottle to prevent waste.



TO SET DOSAGE:

- 1.) Set the pour-on applicator to the desired dosage amount as indicated in the dosage setting window by turning the dosage adjuster.

LUBRICATION:

If applicator becomes sluggish, clean thoroughly using the cleaning instructions on back. You will need to remove the barrel assembly, clean and apply a couple of drops of Prima Tech lubricant to the piston o-ring. Many times, product failure is due to insufficient cleaning. For complete cleaning instructions, please see back panel.

AVAILABLE NOZZLE TYPES:

